

HIGH PRESSURE BALL VALVES

10,000 PSI TO 20,000 PSI RATED

HIGH PRESSURE BALL VALVES

- One piece, trunion mounted style, ideal for heavy duty applications
- Two-way and three-way valve configurations
- PEEK seats offer excellent resistance to chemicals, heat and wear/abrasion
- Full-port flow path minimizes pressure drop
- Optional o-rings available for high-temperature applications
- Pneumatic actuator options



10B SERIES BALL VALVES

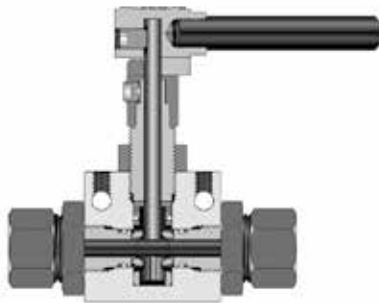
- End connections: 3/4" and 1" tube fittings, 3/4" and 1" NPT threads
- Body materials: 316 SS
- Orifice (mm): 2-way: 0.5", 3-way: 0.5"
- Working pressure up to: 10000 psig (690 bar)
- Fluorocarbon FKM O-ring working temperature: 0°F to 400°F (-17.8°C to 204°C)

15B SERIES BALL VALVES

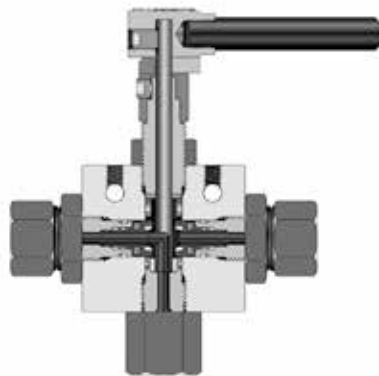
- End connections: 1/8", 1/4", 3/8", 1/2", 9/16", and 3/4" tube fittings, 1/8", 1/4", 3/8" and 1/2" NPT threads
- Body materials: 316 SS
- Orifice (mm): 2-way: 0.094" to 0.375", 3-way: 0.094" to 0.328"
- Working pressure up to: 15000 psig (1034 bar)
- Fluorocarbon FKM O-ring working temperature: 0°F to 400°F (-17.8°C to 204°C)

20B SERIES BALL VALVES

- End connections: 1/4", 3/8", 9/16", and 3/4" tube fittings
- Body materials: 316 SS
- Orifice (mm): 2-way: 0.094" to 0.375", 3-way: 0.094" to 0.328"
- Working pressure up to: 20000 psig (1379 bar)
- Fluorocarbon FKM O-ring working temperature: 0°F to 400°F (-17.8°C to 204°C)



Shut-Off



Switching 180° Turn



Diverting 90° Turn



HIGH PRESSURE BALL VALVES

PART NUMBER DESCRIPTION

15B SS - 2FH 6 - 6 - 2

SERIES	BODY MATERIAL	CONNECTION	SIZE	ORIFICE NO.	BODY STYLE
10B	SS 316 SS	For 10B Series	2 1/8"	For 2-way	1 2-way straight valves
15B		FH 15 Series	4 1/4"	1/4"	2 3-way valves, 180° turn
20B		2FH 20 Series	6 3/8"	6 3/8"	2D 3-way valves, 90° turn
		FNS NPT (Female)	8 1/2"	8 1/2"	
		For 15B Series	9 9/16"	For 3-way	
		FH 15 Series	12 3/4"	3/16"	
		2FH 20 Series	16 1"	6 3/8"	
		FNS NPT Series (Female)		8 1/2"	
		For 20B Series			
		FH 20 Series			
		6FH 60 Series			

NB: "Part Number Description" is used for composition rules of Abdex product model, not suitable for specific product part number selection, not random combinations. If in doubt, please contact Abdex.

Code	O-ring Material	Temperature Range
	Fluorocarbon FKM	0 to 400°F (-17.8 to 204°C)
N	NBR	-40 to 250°F (-40 to 121°C)
F	FFKM	-20 to 500°F (29 to 260°C)
E	EPDM	-50 to 300°F (-45 to 148°C)
K	Kalrez	-40 to 500°F (-40 to 250°C)

Options: O-ring
 Fluorocarbon FKM is standard. For other materials, add a material code to the valve Ordering number.
 Example: 15BSS-2FH6-6-2-K