

Air Headers and Distribution Manifolds

AH and CM Series



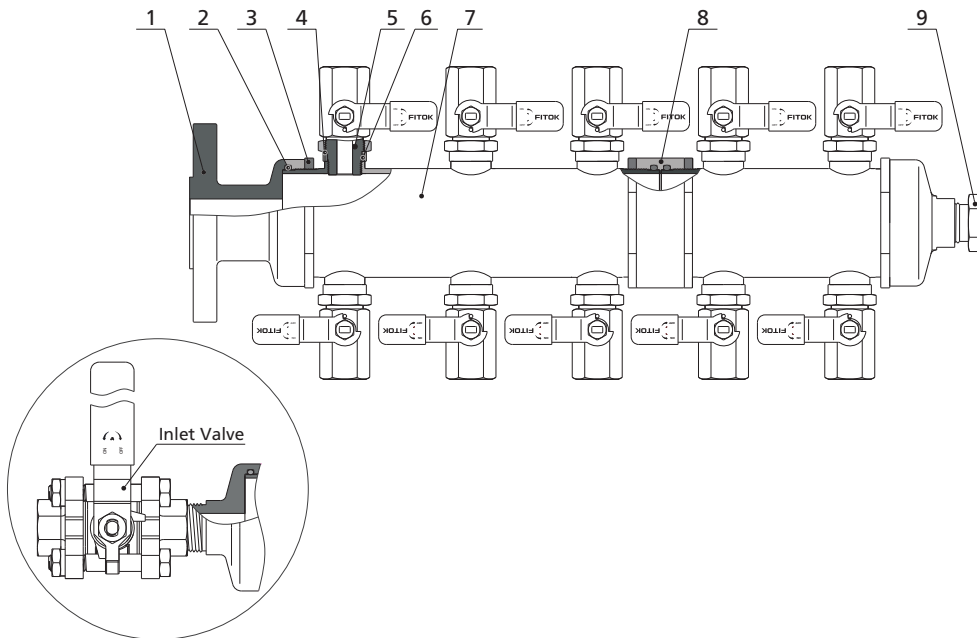
Air Headers
Distribution Manifolds

AH Series Air Headers

Features

- ⦿ Working pressure up to 1000 psig
- ⦿ Working temperature: 0 to 250°F (-18 to 121°C)
- ⦿ Modular design for easy installation and maintenance
- ⦿ Standard module with 4 or 6 outlets available as an accessory and can be ordered separately
- ⦿ Multiple choices of inlet and vent types, and in-line replacement available
- ⦿ Every air header leak tested at factory with air or Nitrogen at rated working pressure

Major Materials of Construction



Item	Component	Material	
1	Inlet Valve	BG series ball valves	
	Flange/Fitting	316 SS	304 SS
2	O-ring	NBR	
3	Lock Nut	304 SS	
4	Support Ring	304 SS	
5	Outlet Valve	BR series ball valves	
6	Seal Ring	PTFE	
7	Main Line	316 SS	304 SS
8	Connection Nut	316 SS	304 SS
9	Plug	316 SS	304 SS

Standard Connection Types

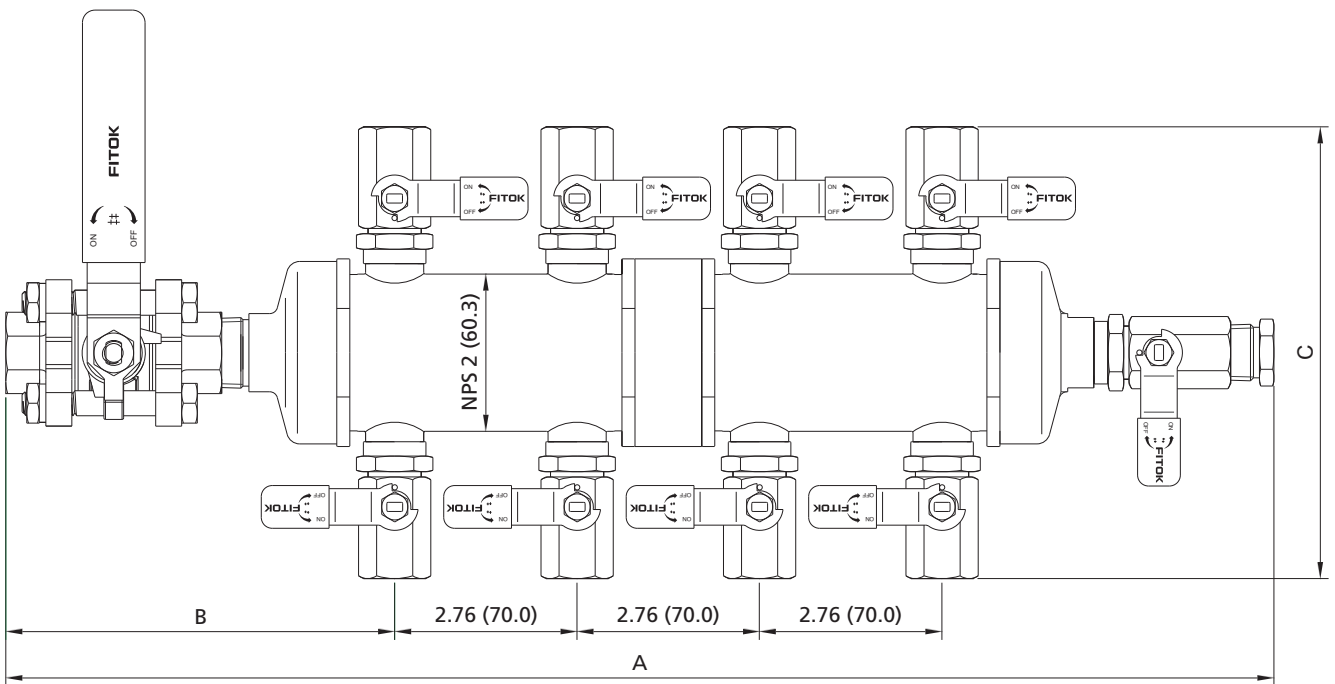
Port	Connection Type	Specification	Standard
Inlet	Female NPT	1"	ASME B1.20.1
	Flange	Class 150, Class 300	ASME B16.5
		PN16, PN25, PN40	EN1092, GB/T9115
Outlet	Female NPT	1/2"	ASME B1.20.1
Vent	Female NPT	1/2"	ASME B1.20.1

Note: The connections listed above are standard. For other connection types, refer to "Ordering Number Description".

Ordering information and Dimensions

Dimensions, in inches (millimeters), are for reference only and are subject to change.

Air Header



Basic Ordering Number	Connection Type and Size	Dimensions, in. (mm)		
		A	B	C
AH□□-AM16-8FNS8-FNS8	Inlet: 1" Class 150 RF flange; Outlet: 8 outlets, 1/2" Female NPT; Vent: 1/2" female NPT with plug	14.60 (370.8)	3.39 (86.0)	6.81 (173.0)
AH□□-FNS8-4FL4Y-FNS8	Inlet: 1/2" Female NPT; Outlet: 4 outlets, 1/4" FITOK tube fitting with plug; Vent: 1/2" female NPT with plug	8.00 (203.0)	2.29 (58.2)	9.71 (246.7)
AH□□-FNS12Y-8FNS8-VPFNS8	Inlet: 3/4" Female NPT with BG series ball valve; Outlet: 8 outlets, 1/2" Female NPT; Vent: 1/2" Female NPT with valve and plug	19.80 (503.0)	6.61 (168.0)	6.81 (173.0)

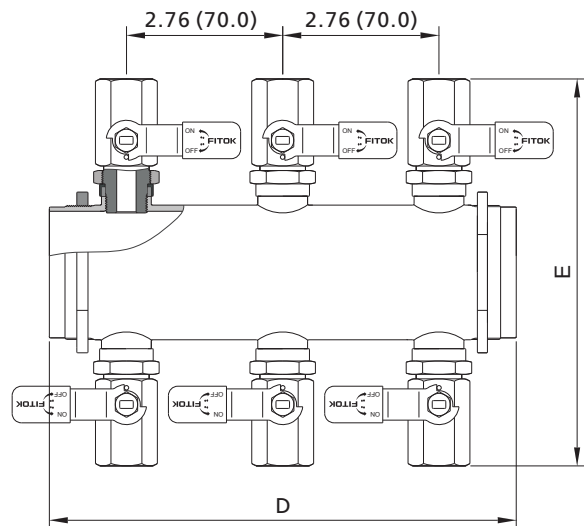
For a complete ordering number, add a material designator to the basic ordering number. For other materials and connections, please contact the FITOK Group or our authorized distributors.

Accessory - Standard Module

Includes: main line, outlet valve, lock nut, support ring and seal ring.

Basic Ordering Number	Number of Outlet Valve	Dimensions, in. (mm)	
		D	E
□□AH-4FNS8	4	5.47 (139.0)	6.81 (173.0)
□□AH-6FNS8	6	8.23 (209.0)	

For a complete ordering number, add a material designator to the basic ordering number.



Other Accessories

Accessory	Basic Ordering Number	Description
Inlet Flange	□□AH-AM16	1" Class 150 RF flange
Inlet Thread	□□AH-FNS16	1" Female NPT
Connection Nut	□□AH-LM60	Connects standard modules
O-ring	BN9-932	NBR O-ring

To order accessories other than O-ring, add a material designator (same with the main line) to the basic ordering number. For other inlet flange or thread types, please contact FITOK Group or our authorized distributors.

Ordering Number Description

AHS4 - FNS12Y - 4ML10Y - VFNS8 - U - F2

Series	Main Line Material	Inlet Type	Inlet Size	Inlet Valve	Number of Outlets	Outlet Type	Outlet Size	Outlet Plug	Vent Valve/Plug	Vent Type	Vent	Handle Type	Cleaning and Packaging
AH	SS	FNS Female NPT	8 1/2"	No	4	FNS Female NPT	No	Plug	FNS Female NPT	Female NPT	8 1/2" or 8 mm	Stainless steel bar handle with Yellow Vinyl Cover	FC-01
	S4	FRT Female BSTP	12 3/4"	Y Yes	6	NS Male NPT	Y Yes	V Valve	NS Male NPT	Male NPT	M10x1 or 10 mm	Stainless Steel Bar Handle with Lock	F2
		AM Class 150 RF Flange	16 1"		8	ML Metric Tube Fitting		VP Valve with Plug	ML Metric Tube Fitting	Metric Tube Fitting	3/4" or 12 mm		
		AET Class 300 RF Flange	20 1 1/4"		10	FL Fractional Tube Fitting			FL Fractional Tube Fitting	Fractional Tube Fitting	M14x1.5 or 14 mm		
		DE PN 16 RF Flange	24 1 1/2"		12	MS Male Metric Thread (for RG)			MS Male Metric Thread (for RG)	Male Metric Thread (for RG)			
		DM PN 25 RF Flange	32 2"		14	BP Male BSPP (for RG)			BP Male BSPP (for RG)	Male BSPP (for RG)			
		DMT PN 40 RF Flange					4 1/4"						
							6 3/8" or 6 mm						
							8 1/2" or 8 mm						
							10 M10 x 1 or 10 mm						
							12 3/4" or 12 mm						
							14 M14 x 1.5 or 14 mm						

Note:

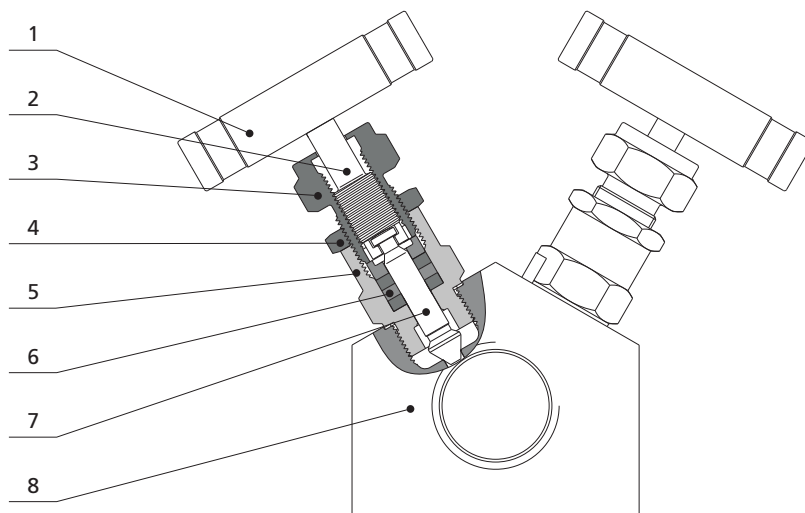
- "Ordering Number Description" is an reference to understand the combination rules of FITOK part number.
Not all combinations are available.
- Cleaning and Packaging:
FC-01: Standard cleaning and packaging for general industrial procedures.
FC-02: Special cleaning and packaging for wetted system components to ensure compliance with product cleaning requirement as stated in ASTM G93 Level C.

CM Series Distribution Manifolds

Features

- ⦿ Working pressure up to 6000 psig
- ⦿ Working temperature:
 - PTFE packing: -15 to 450°F (-26 to 232°C)
 - Graphite packing: -15 to 1200°F (-26 to 649°C)
- ⦿ One-piece, integral body, compact design
- ⦿ Linear instead of rotary movement of the rising, non-rotating stem minimizes packing abrasion and reduces the friction between the seat and the tip
- ⦿ Upper stem threads cold rolled and lower stem hardened for high strength and smooth operation
- ⦿ Fully back seat sealing at fully open position
- ⦿ Every distribution manifold leak tested at factory with air or Nitrogen at rated working pressure

Major Materials of Construction



Item	Component	Material	
1	Handle	Anodized aluminum	
2	Upper stem	316 SS	
3	Packing gland	304 SS	
4	Lock nut	Stainless Steel	
5	Bonnet	316 SS	
6	Packing	PTFE	Graphite
7	Lower stem	316 SS	
8	Body	304 SS	316 SS

Standard Connection Types

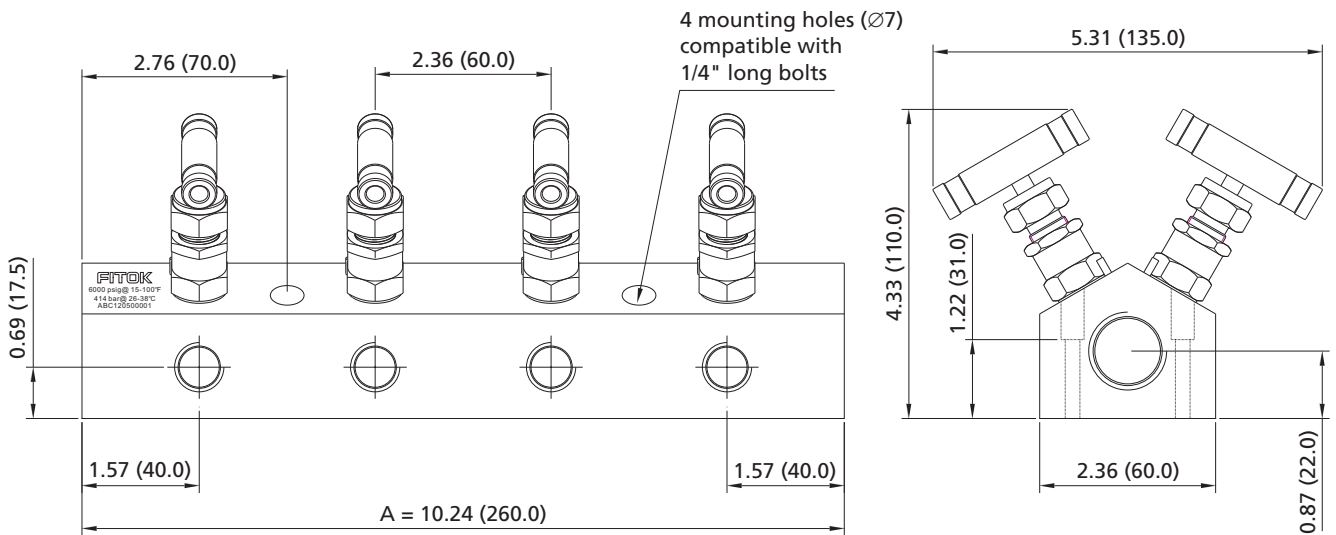
Port	Connection Type	Specification	Standard
Inlet	Female NPT	3/4"	ASME B1.20.1
Outlet	Female NPT	1/4"	ASME B1.20.1
Vent	Female NPT	1/2"	ASME B1.20.1

Note: The connections listed above are standard. For other connection types, refer to "Ordering Number Description".

Dimensions

Dimensions, in inches (millimeters), are for reference only and are subject to change.

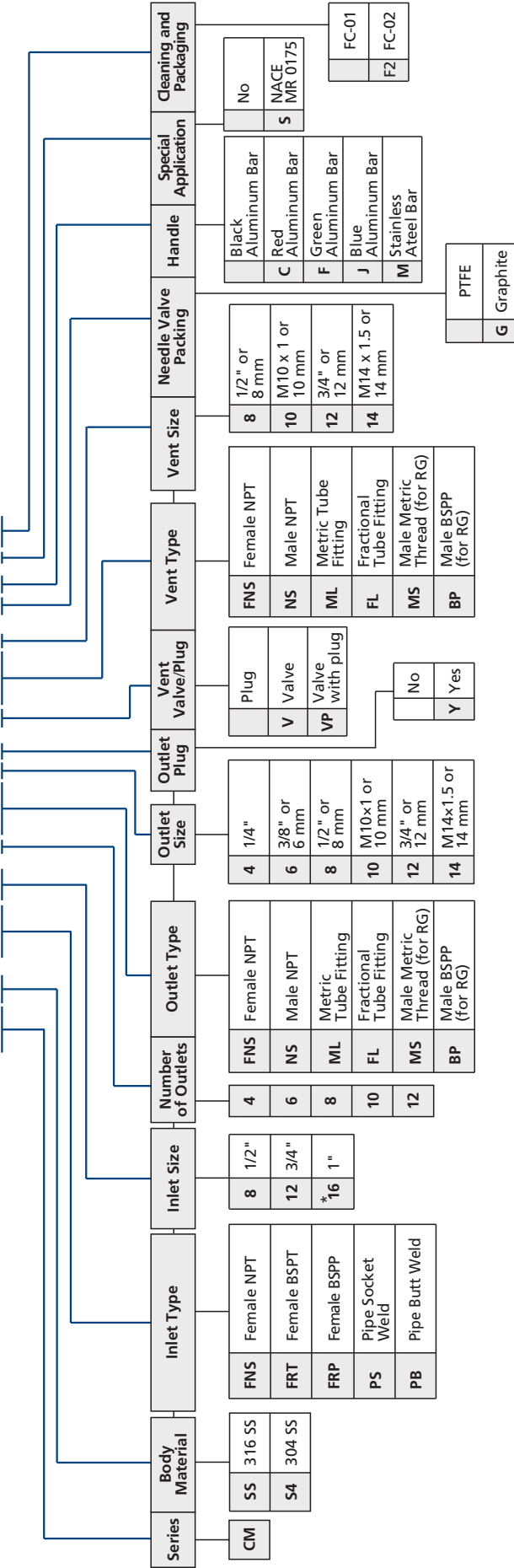
Changes in number of outlets only affect the overall length A, and other dimensions remain the same.



8-outlet manifold shown

Ordering Number Description

CMSS-FNS12-8FNS4Y-VFNS8-GC-SF2



Note:

- "Ordering Number Description" is an reference to understand the combination rules of FITOK part number.
Not all combinations are available.
- Cleaning and Packaging:
FC-01: Standard cleaning and packaging for general industrial procedures.
FC-02: Special cleaning and packaging for wetted system components to ensure compliance with product cleaning requirement as stated in ASTM G93 Level C.
- *Applies to maximum working pressure 3000 psig